

POWER SUPPLY EXTRACT HARNESS

(SUZUKI type-1)

CODE:756-9000200

APPLI
CATION

(YAMAHA deputation motorcycle)※Only for domestic specification
YZF-R25 (RG10/43J) · MT-25 (RG10J) · XT250 SEROW (DG31J) B7C · YZF-R3 (RH07/13J) · XSR900 (B90B/P) ·
MT07 (RM07J)1WS · MT-09 (RN34J) 2DR · MT09 TRACER (RN36J/RN51J) 2CS
(SUZUKI deputation motorcycle)※Only for domestic specification
GIXXER (NG4BG)/GSX250R (DN11A)/GIXXER 250/SF250 (ED22B)

ATTENTION

※NOT FOR HIGH CURRENT ACCESSORIES SUCH AS AMPLIFIER & COMPRESSOR etc.

Thank you for purchasing Kitaco product. Read and understand the instruction before

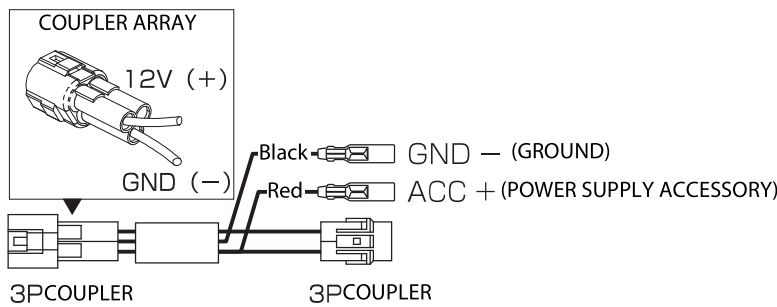
ATTENTIONS (MUST READ)

- ▼Install POWER SUPPLY EXTRACT HARNESS, referring to below instruction.
 - We are not responsible for violation of law of or damages and accidents caused by assembling mistake and improper setting.
 - Please ask authorized mechanic for assembling and setting.
Ask a mechanic or a specialist at a specialty shop for assembling and setting if you do not understand the role of the surrounding parts.
 - Refer to the SUZUKI service manual for each vehicle when installing.
 - POWER SUPPLY EXTRACT HARNESS is designed and made exclusive for specific models, do not use on other models.
 - Make sure there is no abnormal thing in vehicle and engine starts normally.
 - Make sure there is no bolt / nut / coupler terminal left or loosen before running.
 - Please give this instruction together when your vehicle is sold.
- ※NOT FOR HIGH CURRENT ACCESSORIES SUCH AS AMPLIFIER & COMPRESSOR etc.

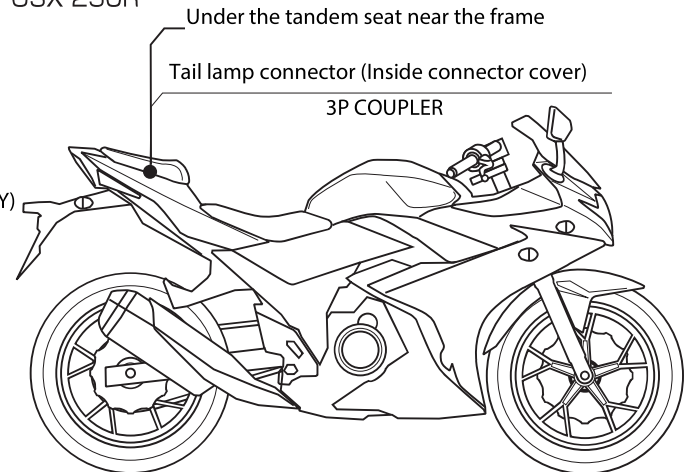


This instruction sheet is for the person who has basic knowledge for maintenance. Do not operate if you do not have skill and knowledge.

type-1



GSX 250R



SUZUKI	SUPPLY EXTRACT POINT	CONNECTOR / COUPLER POSITION
GIXXER (NG4BG)	3P COUPLER (TAIL LAMP)	Under the seat
GSX250R	3P COUPLER (TAIL LAMP)	Under the tandem seat near the frame (Inside connector cover)
GIXXER 250/SF250 (ED22B)	3P COUPLER (TAIL LAMP)	Under the seat(Inside connector cover)

YAMAHA	SUPPLY EXTRACT POINT	CONNECTOR / COUPLER POSITION
YZF-R25/-R3	3P COUPLER (TAIL LAMP)	Under the seat near the frame
MT-25/-03		
XT250 SEROW (B7C)	3P COUPLER (TAIL LAMP)	Under the seat near the right side frame
XSR900	3P COUPLER (TAIL LAMP)	Under the seat near the frame
MT07 (1WS)	3P COUPLER (TAIL LAMP)	Under the tandem seat
MT-09 (2DR) / TRACER (2CS)	3P COUPLER (TAIL LAMP)	Under the tandem seat



210402
3-8-13 NAGATA,
HIGASHI-OSAKA,
OSAKA,577-0015,
JAPAN