

SIDE BAG SUPPORT

CODE

80-655-18160

APPLICATION

CB223S(MC40)

Thank you for purchasing Kitaco product. Read and understand the instruction before installing.

ATTENTION (MUST READ)

- This instruction sheet is for the instruction for genuine condition.
- This product is protection parts when using side bag that prevents from rolling up. Do not overweight on this product. It might cause of breaking this product or surrounding parts.
- This product is designed and made exclusive for application vehicle, do not use other models. Do not modify the way which is not listed or it will cause damage and trouble.
- We are not responsible for violation of law or damages and accidents caused by assembling mistake and improper setting.
- Please ask authorized mechanic for assembling and setting.
- Refer to the manufacturer service manual when installation.
- Bolts and nuts may get loosen by engine vibration. Make sure not to loosen any bolts and nuts before driving.

PACKING LIST

FIG	NAME	QTY
-	SIDE BAG SUPPORT R	× 1
-	SIDE BAG SUPPORT L	× 1

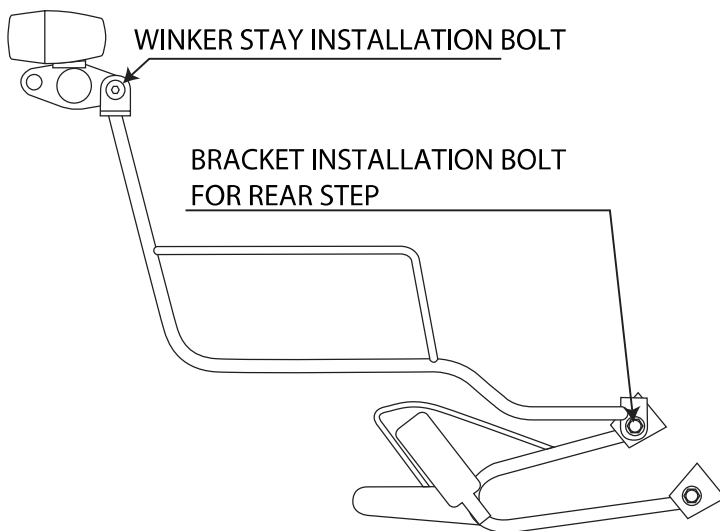
ATTENTION!

This product cannot have toughness because of the vehicle structure. Do not apply excessive force such as lifting vehicle by using this product, using rope or tie down when delivering vehicle, etc.

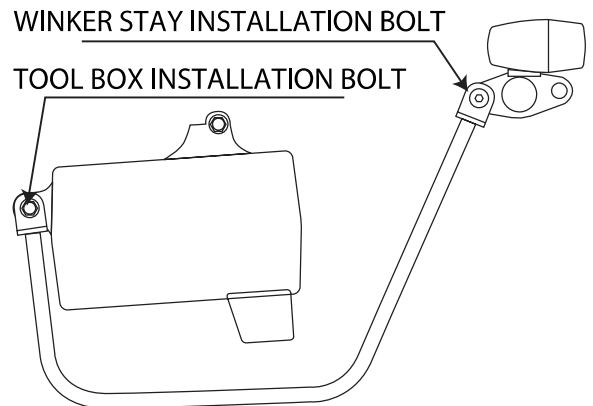
HOW TO INSTALL

- 1) Tighten together with normal bolt.
※ If there is a hard degradation like a blem, fatigue and wear etc on the reuse parts, please change to new ones.
- 2) After installation, make sure not to loosen any parts before riding.

RIGHT SIDE BAG SUPPORT R



LEFT SIDE BAG SUPPORT L



220922



〒 577-0015
3-8-13

NAGATA, HIGASHI-
OSAKA, OSAKA, JAPAN