

MULTI PURPOSE BAR (PIPE O.D.: ϕ 22.2)

CODE : 80-638-14560

APPLICATION : CROSS CUB110 (JA60)

● Thank you for purchasing Kitaco product. Read and understand the instruction before installing.

ATTENTION! (MUST READ)

- This instruction sheet is for the instruction for genuine condition.
- This product is dress-up parts. Do not use for other purposes. Do not modify the way which is not listed or it will cause damage and trouble.
- We are not responsible for violation of law or damages and accidents caused by assembling mistake and improper setting.
- Please ask authorized mechanic for assembling and setting.
- Refer to the manufacturer service manual when installation.
- Bolts and nuts may get loosen by engine vibration. Make sure not to loosen any bolts and nuts before driving.

ATTENTION! (MUST READ)

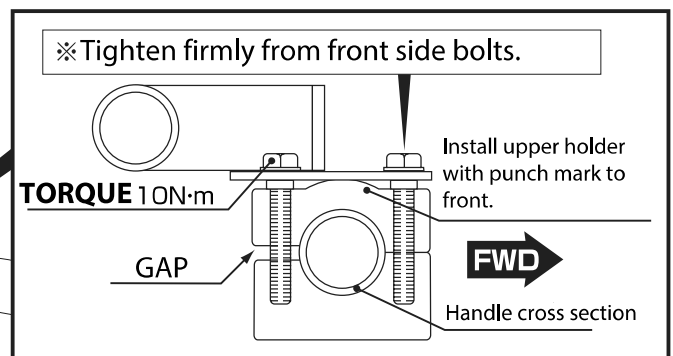
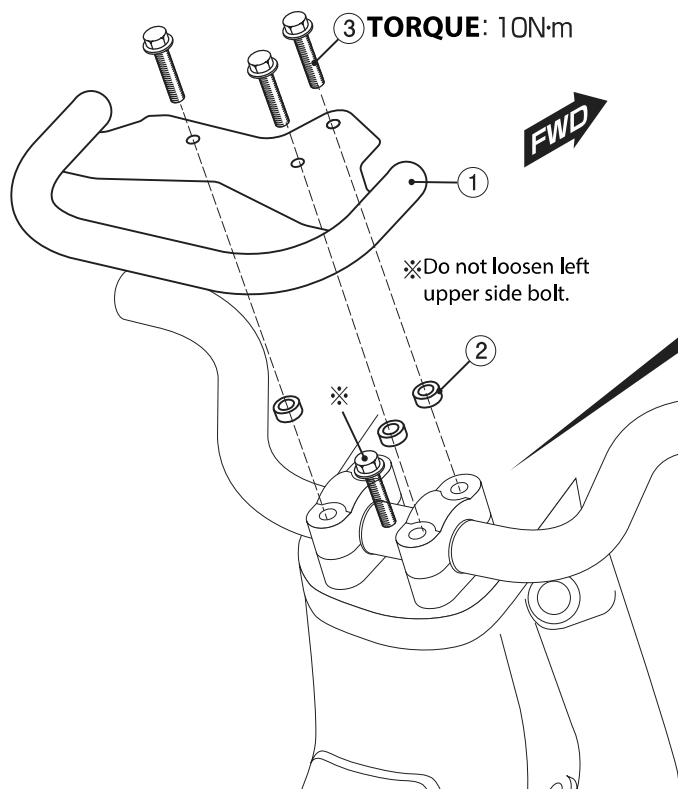
- When installing this product to handle, do not apply excessive force to prevent handling. It might cause of break or cause of accident. [weight limit : 500g]
- This product does not have enough toughness. Do not apply excessive force, like rope or tie down belt to deliver vehicle. It may damage this product or surrounding parts.
- Please ride with this product under the speed limit. This product is designed for flat road. Do not use for racing or off road.

PACKING LIST

FIG	NAME	CODE	QTY
1	MULTI PURPOSE BAR	638-1446001	x1
	END CAP (22.2/ BLACK)	998-0900006	x2
2	SPACER COLLAR ϕ 6.2x13x5L	093-0800006	x3
3	FLANGE HEXAGON BOLT M6x35	062-0562035	x3

ATTENTION WHEN INSTALLING!

- ※ Assemble M6x35 bolt, aluminum collar and upper holder to multi purpose bar front side hole temporarily, then install to vehicle.
- ※ At this time, install upper holder with punch mark to front.
- ※ Bolt tightening procedure : front \rightarrow back.
- ※ Make sure the each screw tightening and break regularly.



220411 Y-H

KITACO
株式会社 キタコ

〒 577-0015
3-8-13 NAGATA, HIGASHI-
OSAKA, OSAKA, JAPAN