

HELMET HOLDER type-2

APPLICATION : CL250 (MC57)

CODE : BLACK 80-564-18701

●Thank you for purchasing Kitaco product. Read and understand the instruction before installing.

ATTENTION (MUST READ)

- This product is easy helmet lock when parking. This is not for anti-theft. Do not use for other purposes.
- This product is designed and made exclusive for application vehicle, do not use other models. Do not modify the way which is not listed or it will cause damage and trouble.
- We are not responsible for violation of law or damages and accidents caused by assembling mistake and improper setting.
- Please ask authorized mechanic for assembling and setting.
- Refer to the manufacturer service manual when installation.
- Bolts and nuts may get loosen by engine vibration. Make sure not to loosen any bolts and nuts before driving.
- Metal/resin/alumite products get discolored/rust for ages as well as how to use. Please understand when using.

PROHIBITED Follow below or might cause of breaking this product or surrounding parts.



Do not ride with hanging helmet or luggage. It might cause of trouble and accident.



Do not use anti-dust lubricant. It might unable to open key. Recommend to use maintenance spray for key cylinder (lock oil) that is sold seperately.

ATTENTION



Ordering spare key is not acceptable. Please keep it safe. (We are not responsible for lost key.)



We are not responsible for breaking hook and accident causing of over weight or falling luggage.



Depending on how to hang helmet, it might touch the vehicle and it causes of scratch. Be careful of it.

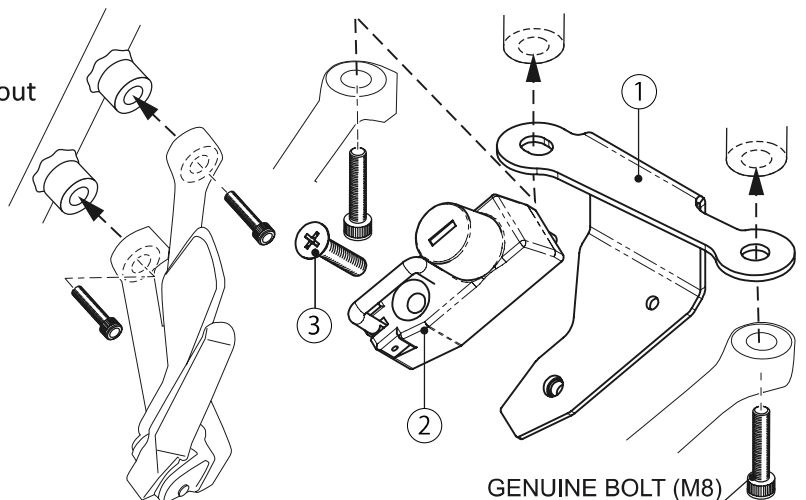
PACKING LIST

| FIGURE | NAME | | CODE | QTY |
|--------------|--------------------|-------|-------------|-----|
| 1 | HELMET HOLDER STAY | T-2 | 564-1870101 | x1 |
| 2 | HELMET LOCK (T-2) | BLACK | 503-0600100 | x1 |
| 3 | FLAT HEAD SCREW | M6x30 | 063-0511030 | x1 |
| OPTION PARTS | | | | |
| - | LOCK OIL | | 880-9900000 | 1 |

HOW TO INSTALL

※Refer to the owners manual or service manual about removing / installing.

- Tighten helmet holder with L tandem step stay together as illustration.
- Make sure not to loosen any parts before riding.



230413 M-T

KITACO
株式会社キタコ

3-8-13 NAGATA,
HIGASHI-OSAKA,
OSAKA, JAPAN