

HELMET HOLDER type-2

CODE : type-2 / BLACK 80-564-14701

APPLICATION: CT125 HUNTER CUB (JA55/65)

PLATE WITH HOOK (without helmet lock): 564-1470101

● Thank you for purchasing Kitaco product. Read and understand the instruction before installing.

ATTENTION (MUST READ)

- This product is for easy helmet lock to vehicle when parking, not for anti-theft. Be careful of it.
- This product is designed and made exclusive for application vehicles, do not use other models. Do not modify the way which is not listed or it will cause damage and trouble.
- We are not responsible for violation of law or damages and accidents caused by assembling mistake and improper setting.
- Please ask authorized mechanic for assembling and setting.
- Bolts and nuts may get loosen by engine vibration. Make sure not to loosen any bolts and nuts before driving.

PACKING LIST

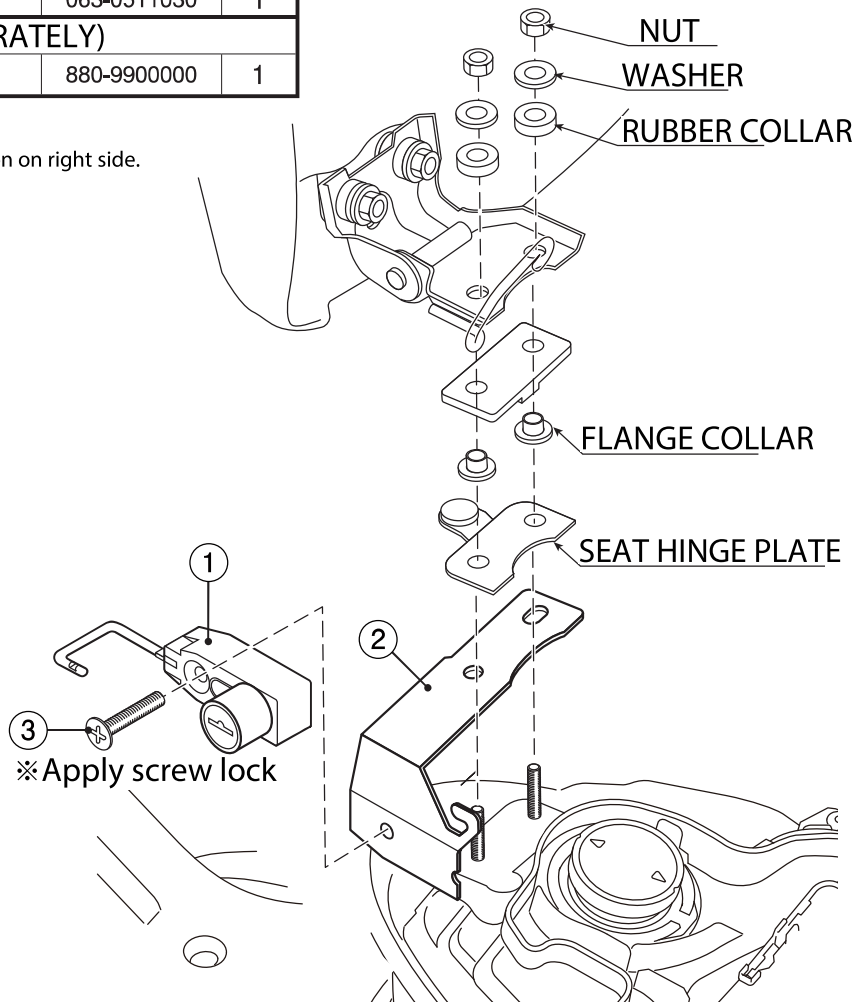
FIGURE	NAME	CODE	QTY
1	HELMET LOCK (T-2) BLACK	503-0600100	1
2	HELMET HOLDER PLATE With hook	564-1470101	1
3	COUNTERSUNK SCREW M6x30	063-0511030	1
OPTION PARTS (SOLD SEPARATELY)			
-	LOCK OIL	880-9900000	1

HOW TO INSTALL

- Tighten helmet holder and seat hinge together as illustration on right side.
- Make sure not to loosen any parts before riding.

ATTENTION!

- When using helmet lock, according to how to fix helmet, it might touch the vehicle and it causes of scratch. Avoid using while riding.
- We do not accept the order of spare key. Please keep it safe. (We are not responsible for the lost spare key.)
- Do not ride with helmet locked, it might cause of accident.
- For key cylinder maintenance, recommend to use maintenance spray for key cylinder (lock oil). Do not use anti-dust lubricant.



230130

KITACO
株式会社 千七口

〒 577-0015
3-8-13 NAGATA, HIGASHI-
OSAKA, OSAKA, JAPAN