

TANDEM BACK REST

APPLICATION : Dio110 (JF31/58)

CODE 652-1427100 (OSS-ZH-08013700)

REMARK Tandem bar usable. ※Kitaco rear carrier not usable.

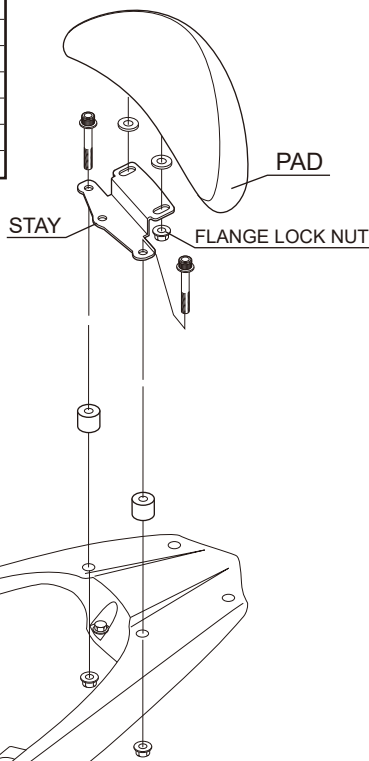
Thank you for purchasing Kitaco product. Read and understand the instruction before installing.

ATTENTION (MUST READ)

- This instruction sheet is for the instruction for genuine condition.
 - This product is for back rest for tandem riding. Do not apply excessive force to back rest. It might cause of break this product or surrounding parts.
 - This product is designed and made exclusive for application vehicles, do not use other models. Do not modify the way which is not listed or it will cause damage and trouble.
 - We are not responsible for violation of law or damages and accidents caused by assembling mistake and improper setting.
 - Please ask authorized mechanic for assembling and setting.
 - Refer to the manufacturer service manual when installation.
 - Bolts and nuts may get loosen by engine vibration. Make sure not to loosen any bolts and nuts before driving.
- UNEVEN BRIGHTNESS
There might be uneven brightness because of polishing treatment, but it is not defective product.

PACKING LIST

CODE	NAME	QTY	REMARK
652-1427109	TANDEM PAD STAY	1	
093-0100008	SPACER COLLAR $\Phi 20 \times \Phi 8 \times 17$	2	
080-0560045	FLANGE CAP BOLT M8 \times 45	2	
001-0552008	FLANGE NUT 8mm	2	
652-0500010	PAD	1	
001-0550008	FLANGE LOCK NUT 8mm	2	For fixing pad.
090-0902008	WASHER 8 \times 22 \times T2.3	2	For fixing pad.



HOW TO INSTALL

- ※If there is a hard degradation like a blem, fatigue and wear etc on the reuse parts, please change to new ones.
- Install this product on rear spoiler with attached bolts.
- In case of installing with tandem bar, please refer to the tandem back rest & bar kit instruction sheet.

ATTENTION!

- This product cannot have toughness because of the vehicle structure. Do not apply excessive force to carrier and back rest such as using rope or tie to deliver the vehicle. In case of using as back rest, please use as supporting parts.

140316 Y-N


株式会社 豊崎

3-8-13 NAGATA,
HIGASHI-OSAKA,
OSAKA, JAPAN