

METER PANEL PROTECTION FILM

CODE : 000-1461000

APPLICATION : ADV160 (KF54)

● Thank you for purchasing Kitaco product. Read and understand the instruction before installing.

ATTENTION (MUST READ)

- This product is for minimize scratches and stains by sticking it on the meter. (cannot be completely protected) Do not use this for other purposes.
- This product is designed and made exclusive for the application vehicles, do not use other models. Do not modify the way which is not listed or it will cause damage and trouble.
- We are not responsible for violation of law or damages and accidents caused by assembling mistake and improper setting.
- This instruction sheet is for the instruction for genuine condition.

HOW TO HANDLE WITH FILM (Usage precautions)

- This film is to protect meter panel from scratch, etc, but do not deal with crack by shock, etc.,
- Direct sunlight, use for a ages may get discolored, peeling, etc., Please understand when using.
- If you cannot see meter display clearly by scratch, rust for ages, please change the film to new one.
- Flammable: do not use with fire.
- It is able to stick again when installation, but when stick firmly, it cannot stick again.



3-8-13 NAGATA, HIGASHI-OSAKA, OSAKA, JAPAN

220808 Y-H

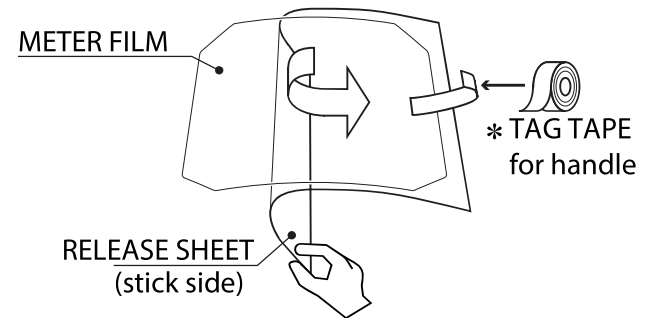
HOW TO STICK

PREPARATION BEFORE STICK

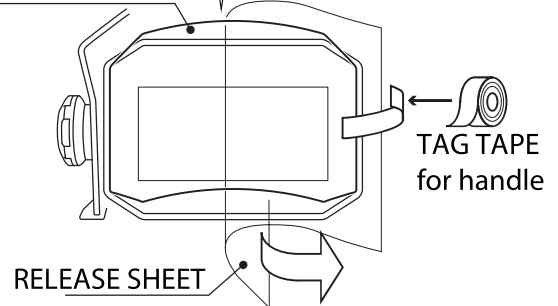
※ Check where to stick the film before doing it.
(We made some 0.5~1.0mm space from outer.)

- 1) Clean the dust, oil content from meter surface.
- 2) Remove half of release sheet on the back side (sticking side) of the meter film. (Be careful not to apply finger prints and oil content). For smooth installation, follow a step below to hold the film easily.
 - * Lift the film by sticking a tag that made by masking tape, etc.,
- 3) Stick slowly and lightly with matching left side of the meter panel shape and corner.
 - ※ It sticks itself, therefore put on the meter panel and stick automatically to some extent.
 - ※ Do not try to stick again and again.

Remove rest of release sheet.



METER FILM



* HOW TO RESTICK / REMOVE FILM

Make a tag tape that made by tape, etc, ease to lift film.

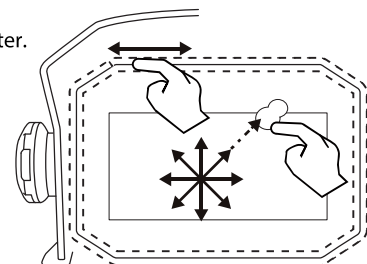
● HOW TO DISCHARGE AIR BUBBLE

- 4) After sticking, slide soft cloth from center to outer for discharge remaining air bubble. Finally, slide the film outer (dotted line).

[ATTENTION!] Be careful not to hold down with hard thing. It cause of break, scratch, etc.

- 5) After sticking, do not touch until a half to one day to be completely stucked.

* Discharge air bubble to outer.



According to size of air bubble, it may not remove perfectly.
The limit is to be inconspicuous.