

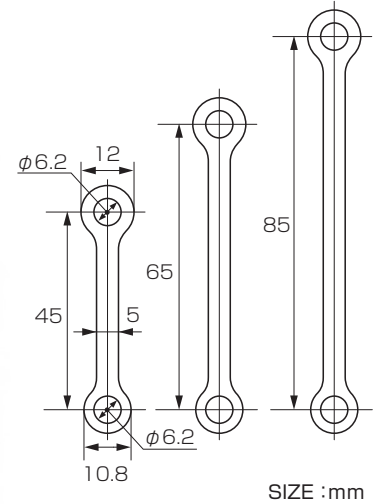


**PLACE MASTER CYLINDER TANK TO THE IDEAL POSITION!**



Place the master cylinder tank in a well-balanced position. Adjust the angle as you like by bending it yourself. Made of stainless steel, so it is weather-resistant and corrosion-resistant.

**STYLISH STAINLESS STEEL STAY!**



**MASTER CYLINDER TANK STAY NEWLY RELEASED!!**

**MASTER CYLINDER TANK STAY**



REMARKS

- UNIVERSAL   ○ STAINLESS STEEL   ○ THICKNESS : 2.3 mm
- SOLD EACH

SIZE	CODE	PRICE
45mm	0900-771-03001	¥800
65mm	0900-771-03002	¥900
85mm	0900-771-03003	¥1,000

\* Since this is stainless steel, use processing equipment when bending it.

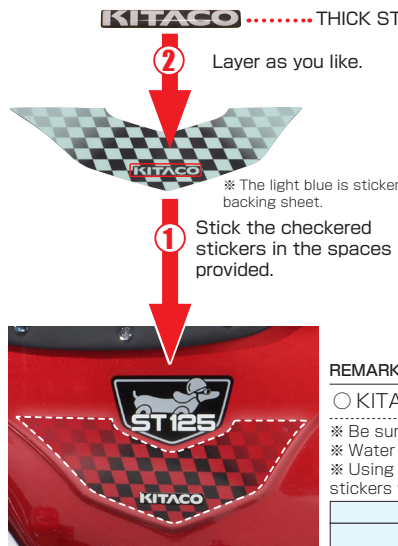
**RECOMMENDED FOR DAX WITH DOWN MUFFLER!!  
DRESS-UP FRAME WITH CHECKER STICKER!  
SIDE STICKER NEWLY RELEASED!!**

**SIDE STICKER**



\* The cream and light blue colors are sticker backing sheet.

This sticker is for the Dax 125 and will dress up the empty space on the side of the body when replacing with a down type muffler.



APPLICATION
DAX 125 (JB04/JB06)

REMARKS

- KITACO LOGO THICK STICKER incl.   ○ SOLD AS A SET
- \* Be sure to degrease the area where stickers are applied.
- \* Water pasting work such as spraying soapy water is required
- \* Using this product on black-colored vehicles is not recommended as the stickers will not stand out easily.

CODE	PRICE
000-1320100	¥1,600